



American Hakko Products, Inc.

# PRODUCT BULLETIN


**Bulletin No:** PB432A  
**Issue Date:** 3-8-2019  
**Effective Date:** 4-1-2019

**Description/Title:**  
 NEW HAKKO FT-802 Thermal Wire Stripper

**Part No:**  
 FT802-03



**Specification:**

<b>Model</b>	FT-802
<b>Part No.</b>	FT802-03
<b>Input Voltage</b>	120 VAC 50/60 Hz
<b>Power Consumption</b>	76W Max
<b>ESD Safe</b>	Yes
<b>Safety Approval</b>	

**Station:**

<b>Output Voltage</b>	20 VAC
<b>Dimensions (WxHxD)</b>	76 x 159 x 161 mm (3.0 x 6.3 x 6.3 in.)
<b>Weight</b>	1.6 kg (3.53 lbs.)

**Handpiece:**

<b>Model</b>	FT-8004
<b>Part No.</b>	FT8004-81
<b>Power Consumption</b>	72W (20V)
<b>Total Length (w/o cord, blade)</b>	153mm (6.0 in.)
<b>Length of Cord</b>	1.6m (63.0 in.)
<b>Weight (w/o cord, blade)</b>	47g (0.1 lb.)

**Blades:**

Part No.	Description
<b>G4-1601</b>	Straight
<b>G4-1602</b>	AWG 18-28
<b>G4-1603</b>	AWG 26-38

**Contents:**

FT802-03 Thermal Wire Stripper	
Part No.	Description
--	FT-802 Station
<b>FT8004-81</b>	FT-8004 Handpiece Comes with: B5242 Lead Adjuster, Hexagon Wrench(1.27mm) and Hexagon Socket Set Screws (2pc)
<b>B2419</b>	Power Cord
--	Instruction Manual

AHP14 Rev 2019-01

28920 Avenue Williams · Valencia · California 91355

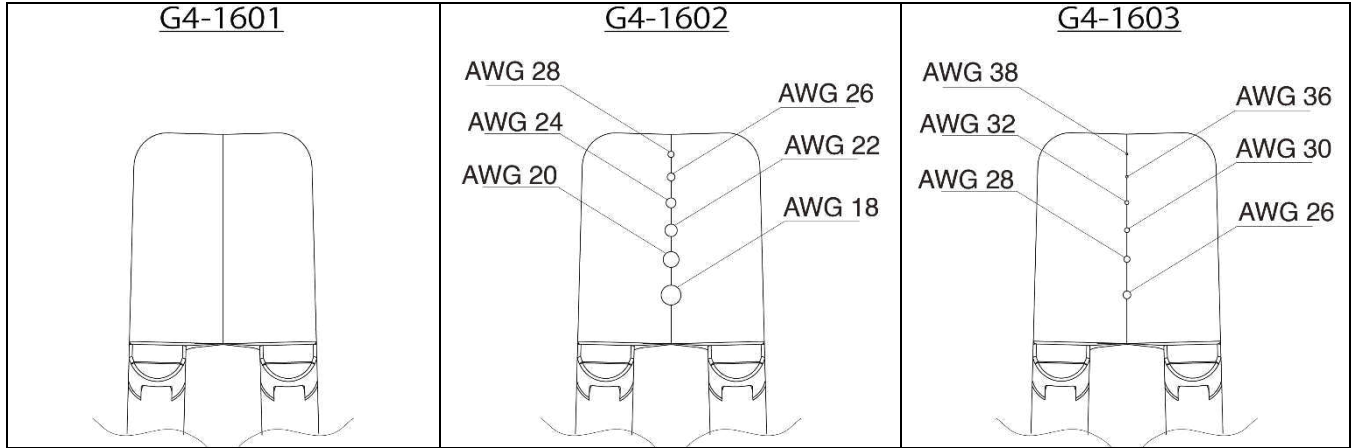
Tel 661.294.0090 · Fax 661.294.0096 · www.HakkoUSA.com



American Hakko Products, Inc.

**Specifications (continued):**

**G4 Blades**



**Comments:**

The NEW Hakko FT-802 Thermal Wire Stripper will become available April 1, 2019 and will replace the FT-801 Thermal Wire Stripper. The FT-802 features an integrated handpiece holder on the top of the station to maximize workbench space while also providing a shield to prevent burns. The holder on top of the station also has a blade removal plate which allows users to remove the blades from the handpiece without touching them. The FT-802 maintains the same performance and features of the FT-801.

The New Hakko FT-8004 handpiece is an upgraded design from the FT-8002 handpiece. The FT-8004 has improved blade alignment with set screws that ensure the alignment maintains throughout the workday. The FT-8004 handpiece also has an ergonomic design and built in heat resistance. The FT-8004 uses G4 blades which are an upgrade from the G2 blades. The G4 blades boast an optimized edge for wire stripping with superior thermal performance that make wire stripping easier.

For more information, please visit [www.HakkoUSA.com](http://www.HakkoUSA.com), e-mail [Support@HakkoUSA.com](mailto:Support@HakkoUSA.com), or call 1-800-88-HAKKO (42556).